

Thermometer

type 5207, 5208, 5209 och 5210

for mounting with thermowell 7350 or 7370

E 10.11.01

Ed.19.01

Design	Thermometer in stainless steel with back entry stem for mounting in separate thermowell type 7350 or 7370.
Type	5207 = case dim 63 mm 5208 = case dim 80 mm 5209 = case dim 100 mm 5210 = case dim 160 mm
Accuracy	Class 1,0%
Case	Stainless steel with bezel
Temperature element	Coiled bimetal
Measuring range	-30+50°C, 0+60°C, 0+100°C, 0+120°C, 0+160°C, 0+250°C
Working temperature	90% of range by permanent measuring 100% by short time measuring
Weather protection	IP 43
Location of stem	Back entry stem
Stem	Ø 8 mm of stainless steel 316L for mounting in thermowell 7350, 7370 or 7380.
Length of stem	See immersion length for thermowell



Thermowell 7350 Material = brass
Working pressure max 6 bar
Connection G 1/2" male thread
Outside diameter Ø 10 mm
Immersion length L_1 = 45, 63, 100, 160 or 200 mm



Thermowell 7350 brass

Thermowell 7370 Material = stainless steel 316L
Working pressure max 25 bar
Connection G 1/2" male thread
Outside diameter Ø 10 mm
Immersion length L_1 = 45, 63, 100, 160 or 200 mm



Thermowell 7370 stainless steel

Thermowell 7380 Weld.in type
Material = stainless steel 316L
Note: Can not be delivered with material certificate
Working pressure max 25 bar
Weld-in diameter Ø 24 mm
Outside diameter of stem Ø 10 mm
Immersion length L_1 = 43, 80, 140 or 180 mm
suitable for thermometer with length +20 mm



Thermowell 7380 weld-in type

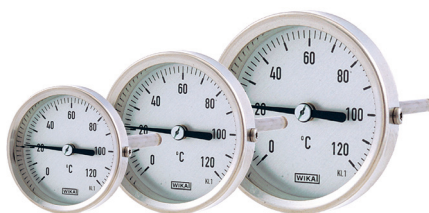
Thermometer

E 10.11.01

type 5207, 5208, 5209 och 5210

for mounting with thermowell 7350 or 7370

Code number for thermometer		5207	5208	5209	5210
Range	Length L ₁	case 63 mm	case 80 mm	case 100 mm	case 160 mm
- 30 + 50°C	45 mm	52074603	52084603	52094603	-
	63 mm	52074606	52084606	52094606	52104606
	100 mm	52074610	52084610	52094610	52104610
	160 mm	52074615	52084615	52094615	52104615
	200 mm	-	-	52094618	52104618
0 + 60°C	45 mm	52070203	52080203	52090203	-
	63 mm	52070206	52080206	52090206	52100206
	100 mm	52070210	52080210	52090210	52100210
	160 mm	52070215	52080215	52090215	52100215
0 + 80°C	63 mm	52071306	52081306	52091306	52101306
	100 mm	52071310	52081310	52091310	52101310
0 + 100°C	45 mm	52070303	52080303	52090303	-
	63 mm	52070306	52080306	52090306	52100306
	100 mm	52070310	52080310	52090310	52100310
	160 mm	52070315	52080315	52090315	52100315
	200 mm	52070318	52080318	52090318	52100318
0 + 120°C	45 mm	52070403	52080403	52090403	-
	63 mm	52070406	52080406	52090406	52100406
	100 mm	52070410	52080410	52090410	52100410
	160 mm	52070415	52080415	52090415	52100415
	200 mm	52070418	52080418	52090418	52100418
0 + 160°C	45 mm	52070703	52080703	52090703	-
	63 mm	52070706	52080706	52090706	52100706
	100 mm	52070710	52080710	52090710	52100710
	160 mm	52070715	52080715	52090715	52100715
	200 mm	-	-	52090718	52100718
0 + 250°C	45 mm	52071003	52081003	52091003	-
	63 mm	52071006	52081006	52091006	52101006
	100 mm	52071010	52081010	52091010	52101010
	160 mm	52071015	52081015	52091015	52101015
	200 mm	-	-	52091018	52101018

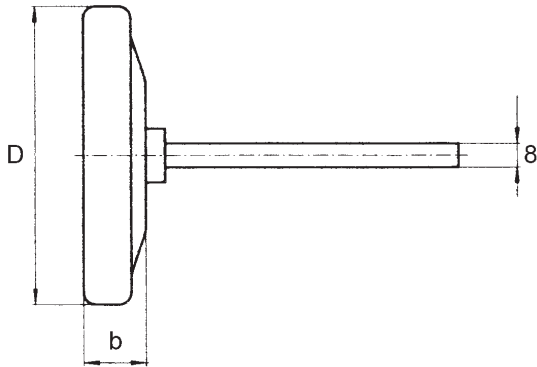


Thermometer

type 5207, 5208, 5209 och 5210

for mounting with thermowell 7350 or 7370

E 10.11.01



Thermometer

Type 5207 - case D = 63 mm, b = 16 mm
 Type 5208 - case D = 80 mm, b = 17 mm
 Type 5209 - case D = 100 mm, b = 21 mm
 Type 5210 - case D = 160 mm, b = 25 mm

Code number for thermowell		7350	7370
Length L ₁	Connection	Brass	Stainless steel
45 mm	G1/2"	73500303	73700303
63 mm	G1/2"	73500306	73700306
100 mm	G1/2"	73500310	73700310
160 mm	G1/2"	73500315	73700315
200 mm	G1/2"	73500318	73700318



7350 brass

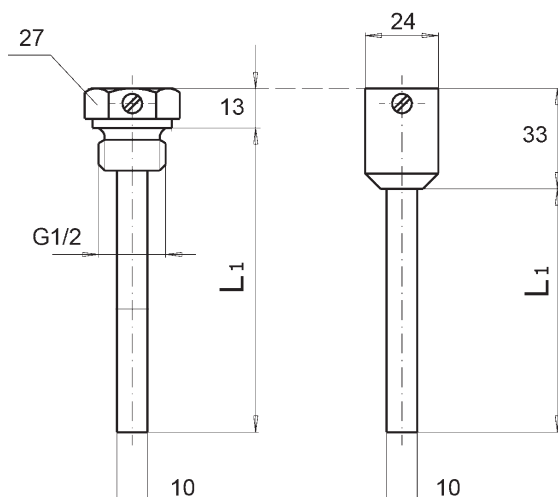


7370 stainless steel

Code number for thermowell		7380
Length L ₁	Connection	Stainless steel
43 mm	weld-in	73800306
80 mm	weld-in	73800310
140 mm	weld-in	73800315
180 mm	weld-in	73800318



7380 weld-in type
 Note: Can not be delivered with material certificate



Thermowell 7350 and 7370 standard type

Immersion length of thermowell
 U₁ = 45, 63, 100, 160 or 200 mm

Thermowell 7380 weld-in type

Immersion length of thermowell
 U₁ = 43, 80, 140 or 180 mm